

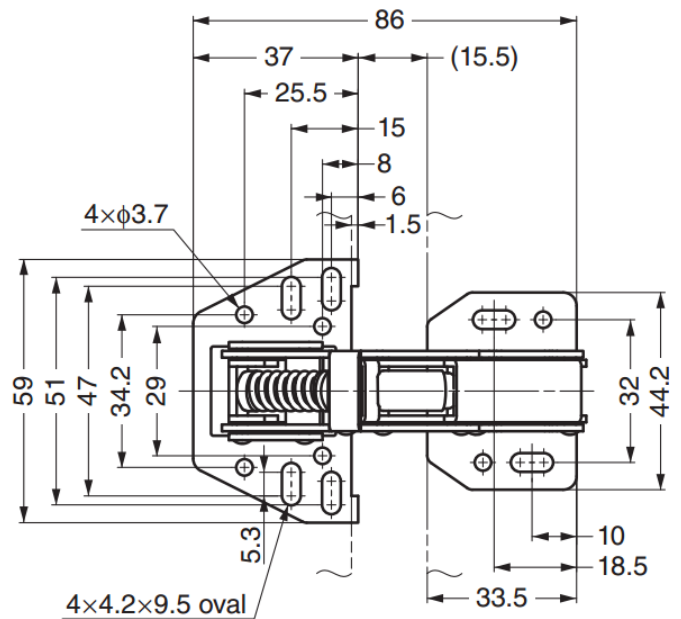
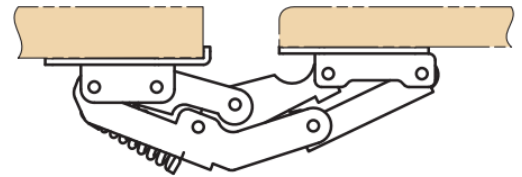
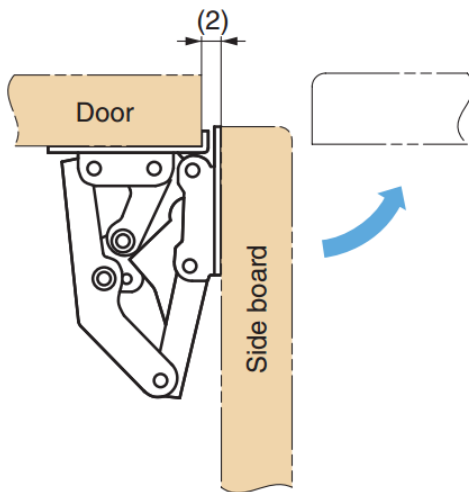
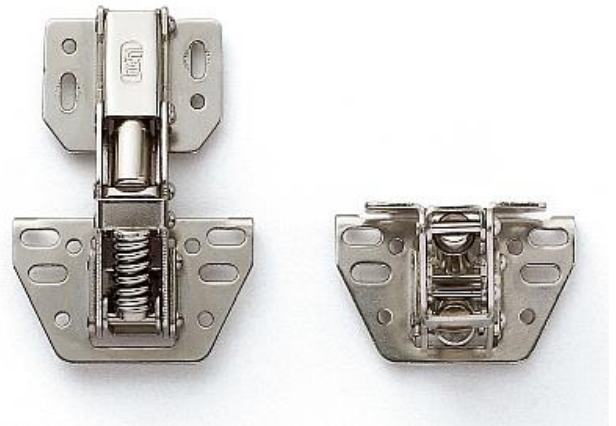
## G2000RV-2 Concealed Hinge

### Features

- Suitable for upward-opening flaps
- Surface mounted, no need for cut-out on flaps
- With catch

### Material

- Steel, nickel finish



|                  |
|------------------|
| <b>Part No.</b>  |
| <b>G2000RV-2</b> |